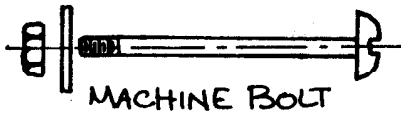
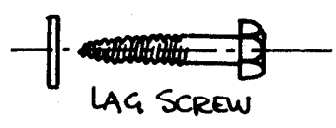
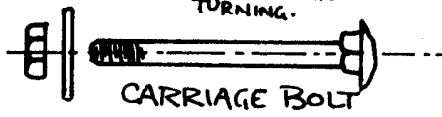


7-10" DIA. WHEELS FROM LAWNMOWER, WAGON, TRICYCLE, BARBECUE, ETC.

SQUARE SECTION PREVENTS TURNING.

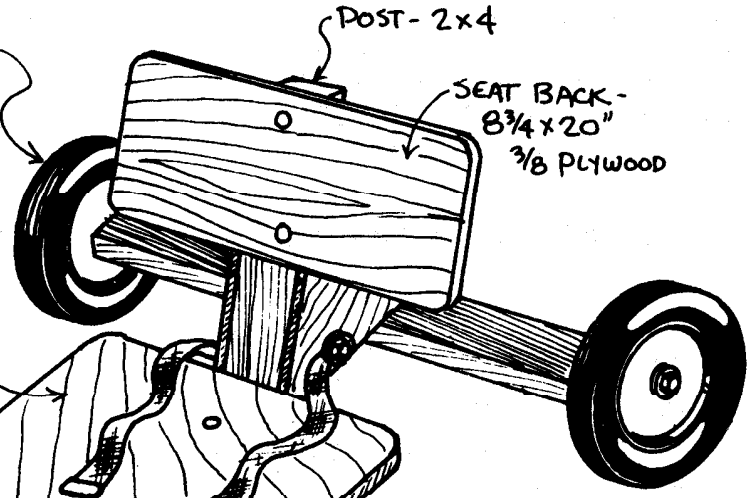


USE THESE TYPE FASTENERS - NAILS WILL NOT HOLD.

POST - 2x4

SEAT BACK - 8 3/4 x 20" 3/8 PLYWOOD

SEAT 15 x 20" 3/8 PLYWOOD



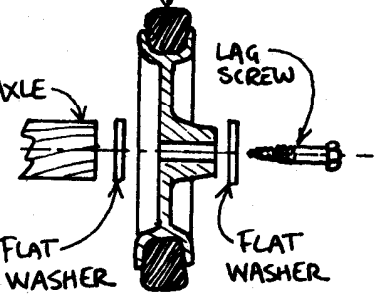
WHEEL

AXLE

LAG SCREW

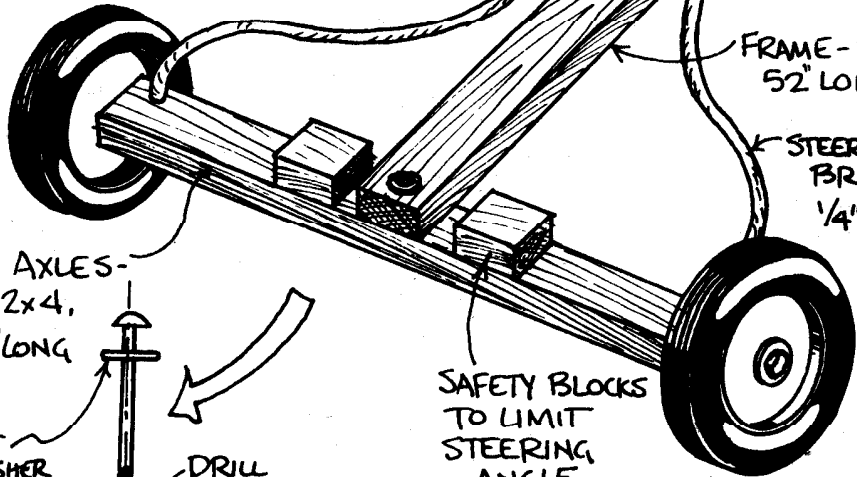
FLAT WASHER

FLAT WASHER



FRAME - 2x4 52" LONG

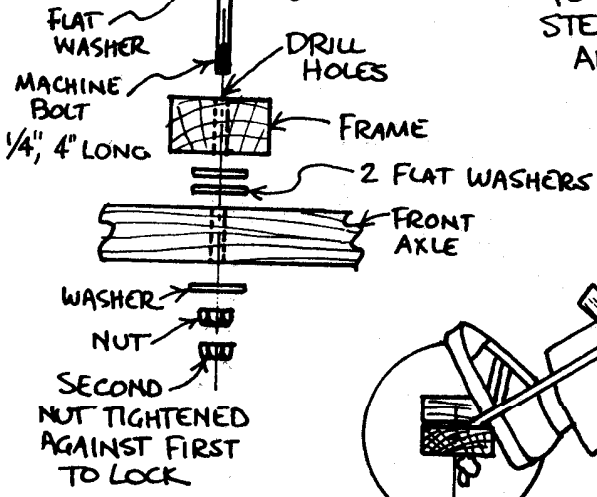
STEERING BRIDLE - 1/4" NYLON ROPE



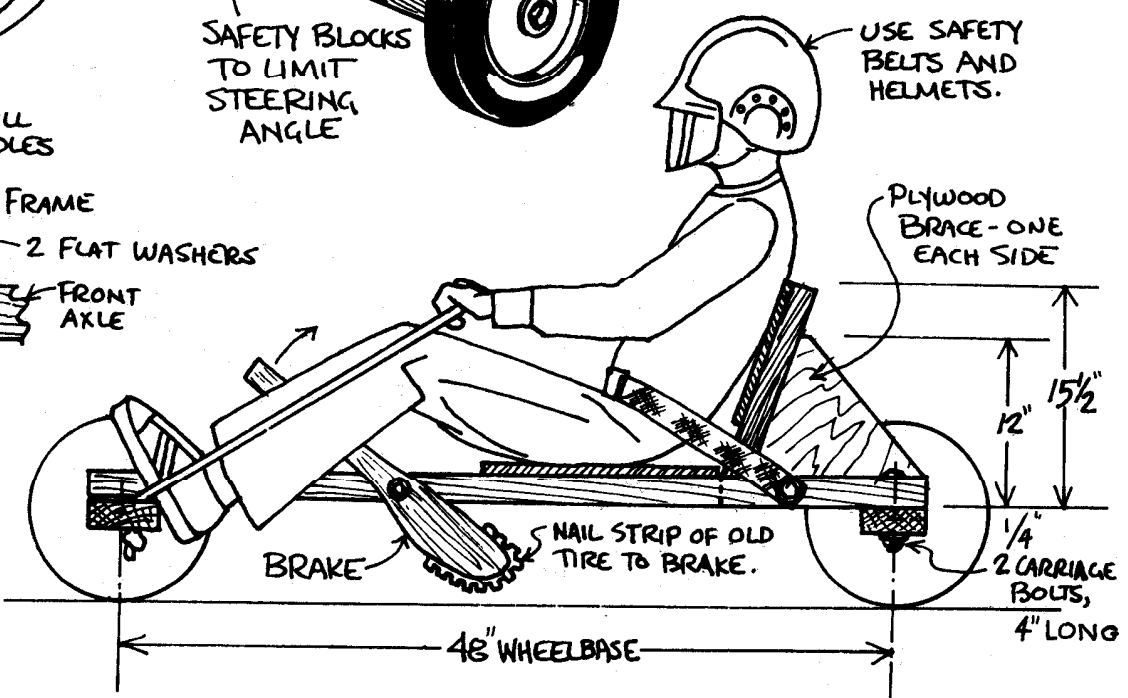
SAFETY BLOCKS TO LIMIT STEERING ANGLE

USE SAFETY BELTS AND HELMETS.

AXLES - 2x4, 28" LONG



PLYWOOD BRACE - ONE EACH SIDE



48" WHEELBASE

CUBMOBILE SPECS AND PARTS